



KT-ALED60PS-D2D-WM-8CSB-VDIM

DUSK-TO-DAWN LED AREA LIGHT FIXTURES

DESCRIPTION

Compact Dusk-to-Dawn LED Area Light |
 Power Select 60W/40W/30W all in one |
 Color Select 5000K/4000K/3000K all in one |
 120–277V Input | Gray Housing

APPLICATION

Arm-mount or structure-mount outdoor illumination needs (including barns, garages, parking areas, and other general purpose or security lighting requirements)



PRODUCT FEATURES

- Compact design matches appearance and light distribution of legacy HID, optimized for one for one replacements
- Heavy-duty, die-cast aluminum housing with ample heat sinking for enhanced thermal performance
- 3-pin twist-lock photocell included along with integrated NEMA/ANSI C136.10 3-pin twist-lock receptacle
- Keystone Power Select Technology allows fixture to be set to 60W, 40W, or 30W settings
- Keystone Color Select Technology features adjustable CCT: 5000K, 4000K, or 3000K
- Impact resistant and highly diffused poly carb lens with anti-yellowing agent, offers reduced glare for low mounting height applications
- Mounts directly to a structure OR a pole arm of 1 5/8”–2 3/8” diameter with universal clamp
- Powered by Keystone 0–10V dimming LED driver
- Ambient operating temperature: –40°C/–40°F to 50°C/122°F
- UL Certified for wet locations, IP65
- 0–10V dimming, 10% min
- Power factor: >0.95
- THD: <20%
- LED chip lifetime: L70 >100,000 hrs @ 25°C/77°F ambient fixture temp
- Meets FCC Part 15, Part B, Class A standards for conducted and radiated emissions

ELECTRICAL SPECIFICATIONS

Wattage	Lumens	Efficacy	Dimming	Color Temp	CRI	Dist Type	Input Voltage	Rated Life	Legacy Equivalent	Housing Color	Additional Feature
60W or 40W or 30W	9,250 lm or 6,850 lm or 5,200 lm	155–170 lm/W	0–10V	5000K 4000K 3000K	>80	V	120–277V	50,000 hrs	150–250W	Gray	3-pin twist-lock photocell included Structure-mount or arm-mount (2' curved-arm mounting pipe [sold separately])



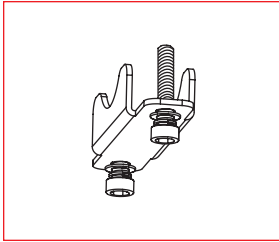
KT-ALED60PS-D2D-WM-8CSB-VDIM

DUSK-TO-DAWN LED AREA LIGHT FIXTURES

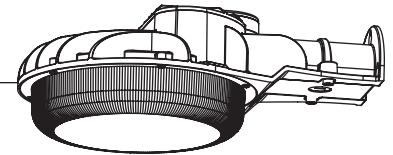
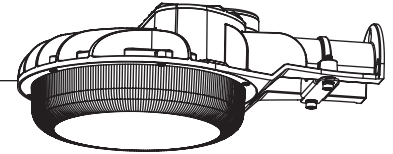
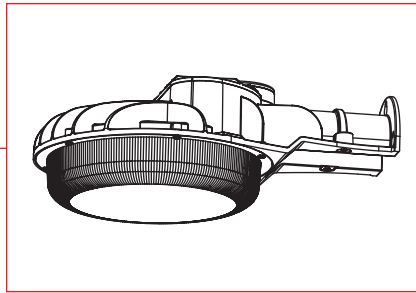
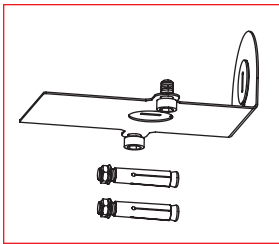
MOUNTING OPTIONS

Two different mounting accessories are included with this fixture. Use the proper accessory for the application you choose.

Pole Arm Mount



Structure Mount



24" CURVED POLE ARM KIT (SOLD SEPARATELY)

Catalog Number	Description	UPC	Easy Code
KT-ALED-CA-D2D-KIT	24" Curved Arm Mounting Pole, for Dusk-to-Dawn Area Light; Gray	843654131665	BFC-98



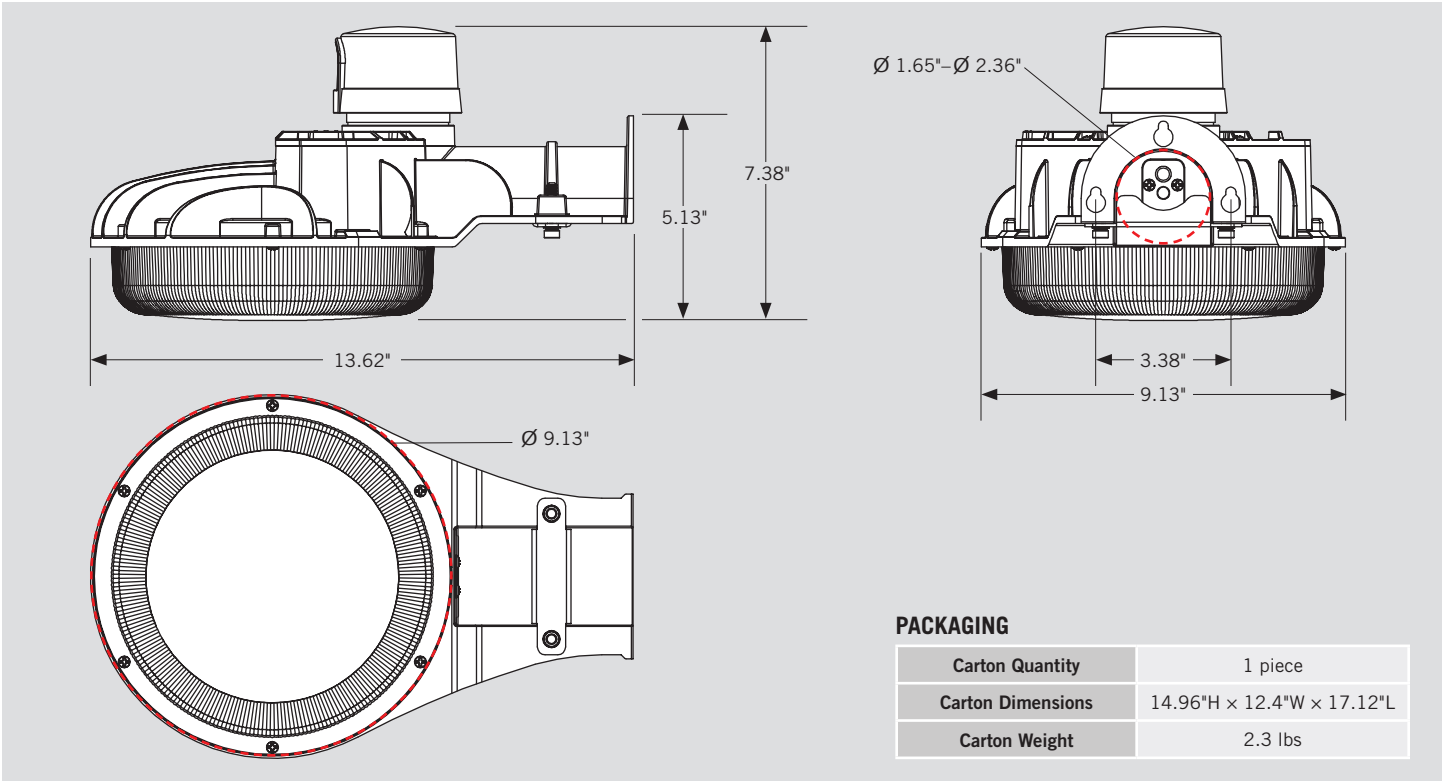


KT-ALED60PS-D2D-WM-8CSB-VDIM

DUSK-TO-DAWN LED AREA LIGHT FIXTURES

PHYSICAL SPECIFICATIONS

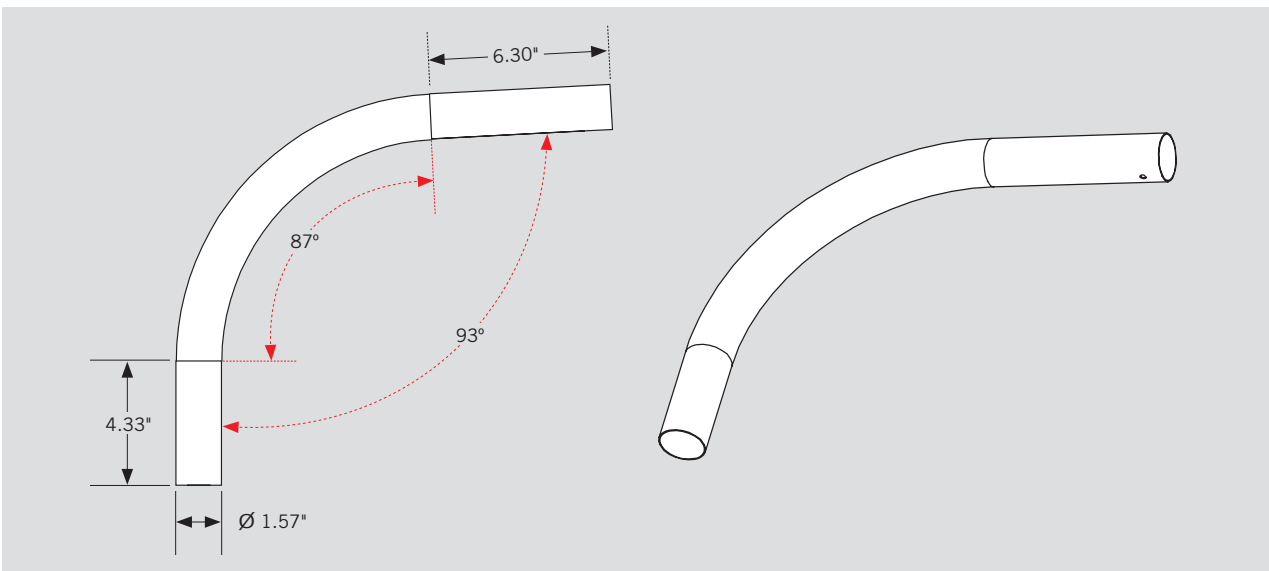
ARM-MOUNT FIXTURE



PACKAGING

Carton Quantity	1 piece
Carton Dimensions	14.96"H x 12.4"W x 17.12"L
Carton Weight	2.3 lbs

24" CURVED POLE ARM (SOLD SEPARATELY)



(Physical Specifications continued on next page)

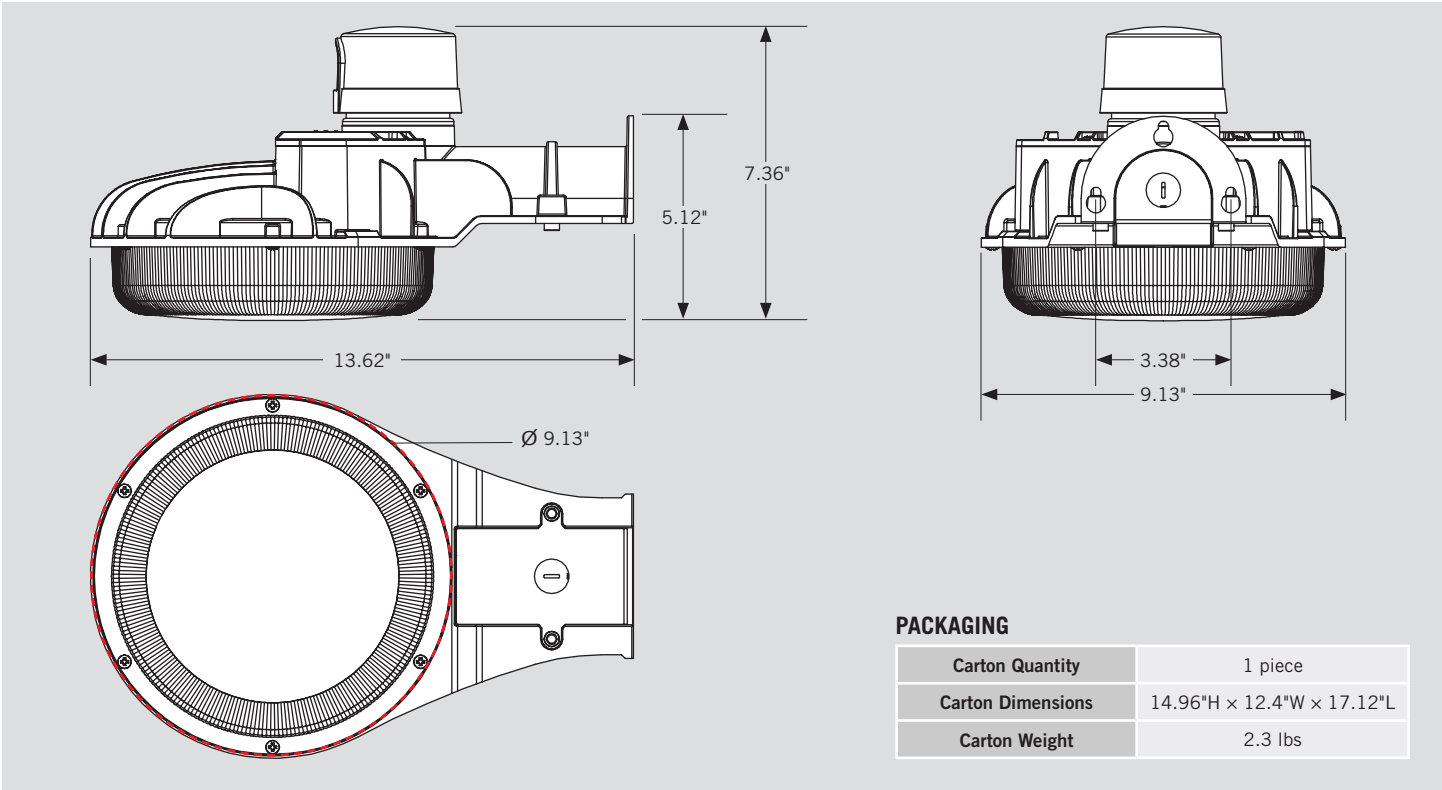


KT-ALED60PS-D2D-WM-8CSB-VDIM

DUSK-TO-DAWN LED AREA LIGHT FIXTURES

PHYSICAL SPECIFICATIONS (continued)

STRUCTURE-MOUNT FIXTURE



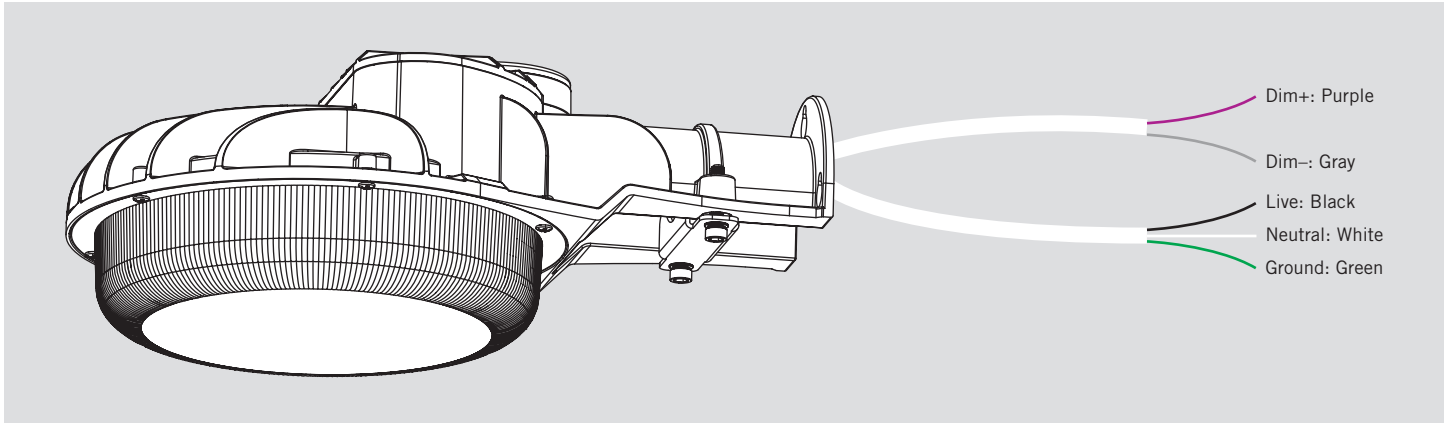
PACKAGING

Carton Quantity	1 piece
Carton Dimensions	14.96"H x 12.4"W x 17.12"L
Carton Weight	2.3 lbs

KT-ALED60PS-D2D-WM-8CSB-VDIM

DUSK-TO-DAWN LED AREA LIGHT FIXTURES

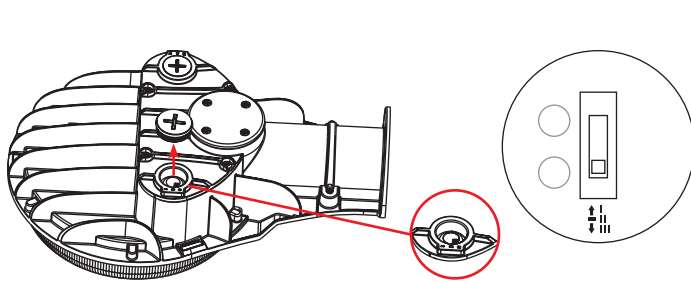
WIRING DIAGRAM



- This fixture comes pre-wired with a 3-pin Twist-Lock Receptacle. Make input connections as needed and ensure connections are protected from exposure to the elements.
- Input voltage rating: 120-277V
- Ensure that input voltage on site matches the fixture you intend to install.

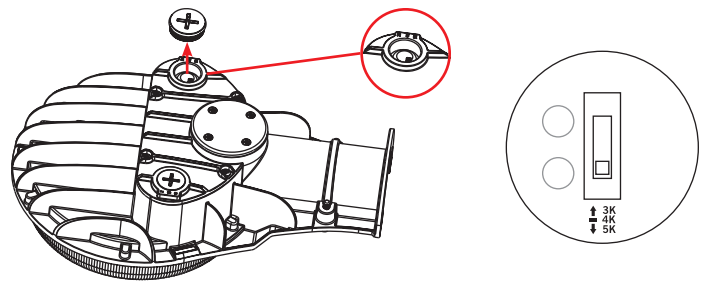
POWER SELECT (WATTAGE) ADJUSTMENT

This fixture is equipped with Keystone Power Select technology. An adjustable dip switch behind the knock-out (KO) cover changes power between 60W (III), 40W (II), and 30W (I). Fixture comes preset at 60W unless otherwise noted.



COLOR SELECT (CCT) ADJUSTMENT

This fixture is equipped with Keystone Color Select technology. An adjustable dip switch behind the knock-out (KO) cover changes CCT between 5000K, 4000K, and 3000K. Fixture comes preset at 5000K unless otherwise noted.



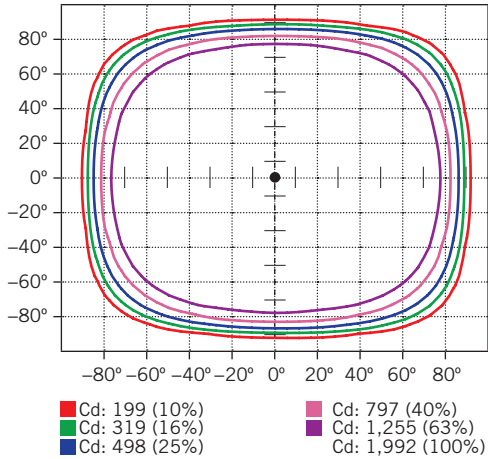


KT-ALED60PS-D2D-WM-8CSB-VDIM

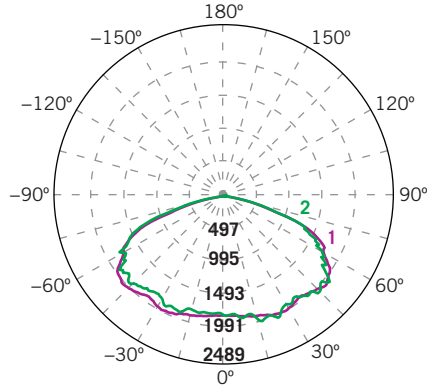
DUSK-TO-DAWN LED AREA LIGHT FIXTURES

PHOTOMETRIC SPECIFICATIONS

ISOCANDELA PLOT



LUMINOUS INTENSITY DISTRIBUTION



Average diffuse angle (50%): **144.4°**

1 Violet C0-C180
2 Green C90-C270

Unit: cd

FLUX DISTRIBUTION

Zone	Lumens	% Luminaire
Forward Light	4,121 lm	49.3%
0°-30°	783 lm	9.4%
30°-60°	2,166 lm	25.9%
60°-80°	1,111 lm	13.3%
80°-90°	60 lm	0.7%
Back Light	4,120 lm	49.2%
0°-30°	759 lm	9.1%
30°-60°	2,121 lm	25.4%
60°-80°	1,171 lm	14.0%
80°-90°	68 lm	0.8%
Up Light	126 lm	1.5%
90°-100°	43 lm	0.5%
100°-180°	83 lm	1.0%

BUG* Rating	
Asymmetrical Luminaire Types	
Type I, II, III, IV	B3 U3 G3
Quadrilateral Symmetrical Luminaire Types	
Type V, Area Light	B3 U3 G1

* Backlight, Uplight, Glare

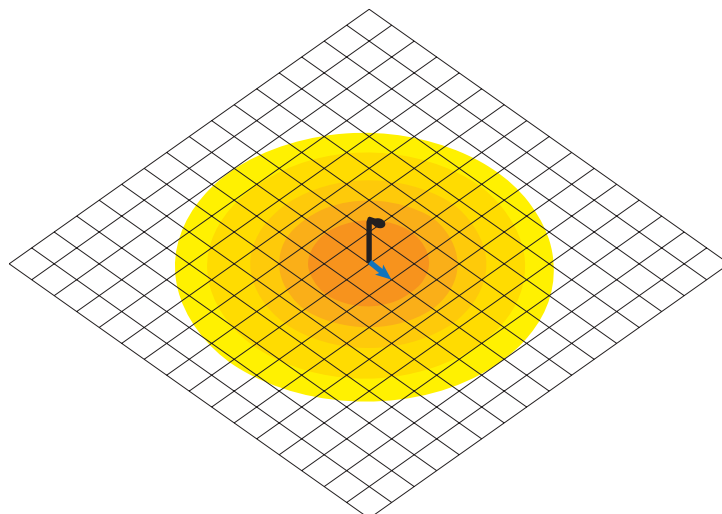
LIGHT DISTRIBUTION PATTERN (TYPE 5 [V])

DUSK-TO-DAWN

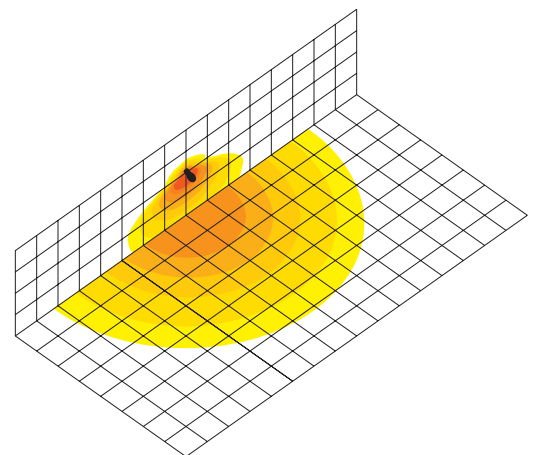
- Photometric layout for general reference only
- Grid dimension: 10 × 10 sq ft

- 0.1 fc
- 0.2 fc
- 0.5 fc
- 1.0 fc
- 2.0 fc
- 5.0 fc
- 10.0 fc

Arm-mount view from above; Area light mounted at 20'



Structure-mount view from above; Area light mounted at 20'





KT-ALED60PS-D2D-WM-8CSB-VDIM

DUSK-TO-DAWN LED AREA LIGHT FIXTURES

ORDERING INFORMATION

ORDER CODE	PACK QTY.	UPC	Easy Code
KT-ALED60PS-D2D-WM-8CSB-VDIM	1	843654131603	FER-43

CATALOG NUMBER BREAKDOWN

KT-ALED60PS-D2D-WM-8CSB-VDIM

1
2
3
4
5
6
7
8
9
10

- 1** Keystone Technologies
- 2** Fixture Type
- 3** LED Technology
- 4** Wattage
- 5** Special Indicator
- 6** Size/Shape
- 7** Mounting
- 8** CRI
- 9** Color Temp
- 10** Dimming

<p>2 Fixture Type</p> <table style="width: 100%; border-collapse: collapse;"> <tr> <td style="background-color: #cccccc; padding: 2px 10px;">A</td> <td style="padding: 2px 10px;">Area Light</td> </tr> </table>	A	Area Light	<p>5 Special Indicator</p> <table style="width: 100%; border-collapse: collapse;"> <tr> <td style="background-color: #cccccc; padding: 2px 10px;">PS</td> <td style="padding: 2px 10px;">Power Select Technology (120-277V)</td> </tr> </table>	PS	Power Select Technology (120-277V)			
A	Area Light							
PS	Power Select Technology (120-277V)							
<p>6 Size/Shape</p> <table style="width: 100%; border-collapse: collapse;"> <tr> <td style="background-color: #cccccc; padding: 2px 10px;">D2D</td> <td style="padding: 2px 10px;">Dusk-to-Dawn Housing</td> </tr> </table>	D2D	Dusk-to-Dawn Housing	<p>7 Mounting</p> <table style="width: 100%; border-collapse: collapse;"> <tr> <td style="background-color: #cccccc; padding: 2px 10px;">WM</td> <td style="padding: 2px 10px;">Wall Mount</td> </tr> </table>	WM	Wall Mount	<p>8 CRI</p> <table style="width: 100%; border-collapse: collapse;"> <tr> <td style="background-color: #cccccc; padding: 2px 10px;">8</td> <td style="padding: 2px 10px;">>80</td> </tr> </table>	8	>80
D2D	Dusk-to-Dawn Housing							
WM	Wall Mount							
8	>80							
<p>9 Color Temp</p> <table style="width: 100%; border-collapse: collapse;"> <tr> <td style="background-color: #cccccc; padding: 2px 10px;">CSB</td> <td style="padding: 2px 10px;">Color Select 3000/4000/5000K</td> </tr> </table>	CSB	Color Select 3000/4000/5000K	<p>10 Dimming</p> <table style="width: 100%; border-collapse: collapse;"> <tr> <td style="background-color: #cccccc; padding: 2px 10px;">VDIM</td> <td style="padding: 2px 10px;">0-10V</td> </tr> </table>		VDIM	0-10V		
CSB	Color Select 3000/4000/5000K							
VDIM	0-10V							